

Contactors

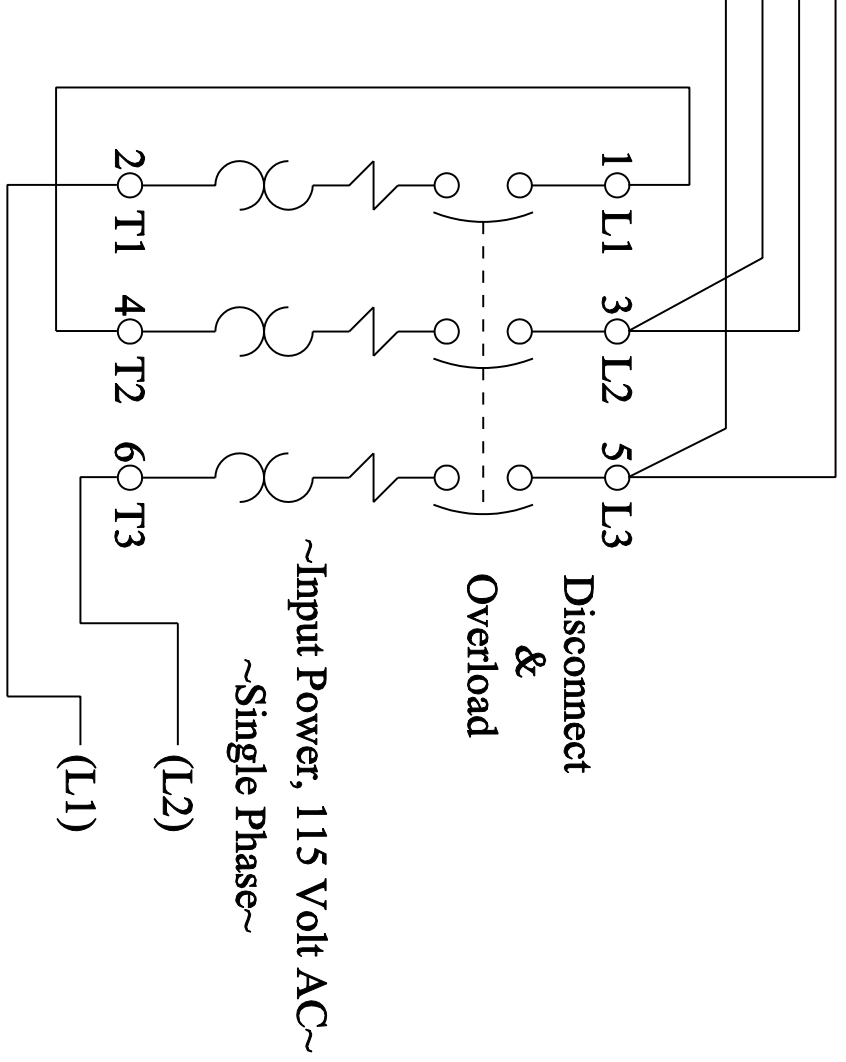
To Motor

To Pushbutton Station

- (A)
- (B)
- (C)
- (D)

NOTE:
 All the assemblies listed include part # 33.4161 Enclosure and Contactor Assembly and (2) Aux Contacts.

Assembly Part #	Overload #	Current Range
ER-1SC10	33.4361	6.3 - 10 AMPS
ER-1SC16	33.4381	10 - 16 AMPS
ER-1SC20	33.4401	16 - 20 AMPS



ATTENTION:
 Line input must be installed on the bottom side of the overload and disconnect to meet requirements for UL Compliance in this starter.

HYTROL CONVEYOR CO., INC.
 2020 HYTROL DR.
 JONESBORO, ARKANSAS 72401

DESCRIPTION:
 Reversing 115 Volt Single Phase Combination Starter

DRAWN BY: Roscoe Spencer

REVISION: 1

DATE: August 2, 2001

DWG. NO.: ER-1PH11