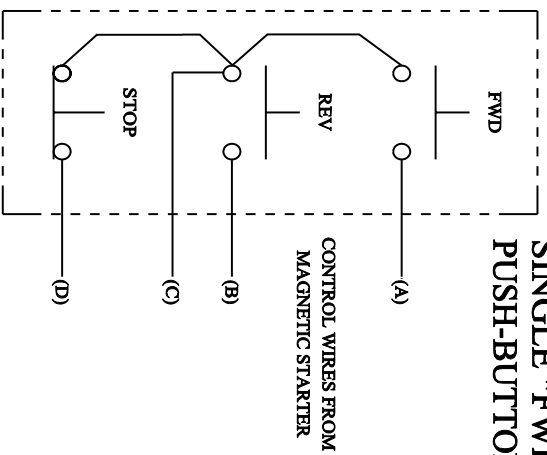
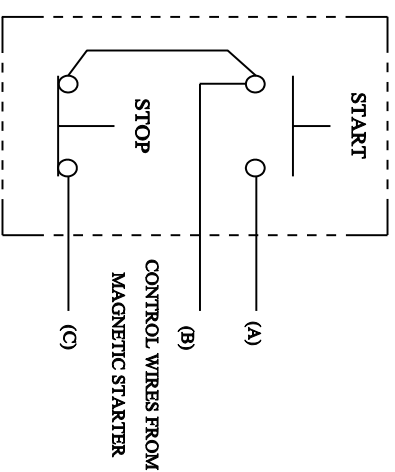


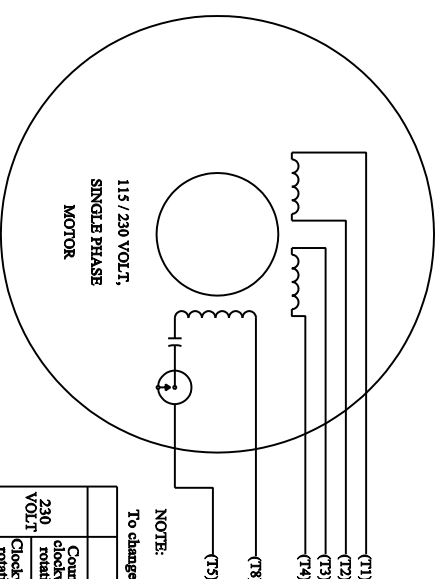
**SINGLE "FWD-REV-STOP"
PUSH-BUTTON STATIONS**



**SINGLE "START-STOP"
PUSH-BUTTON STATIONS**



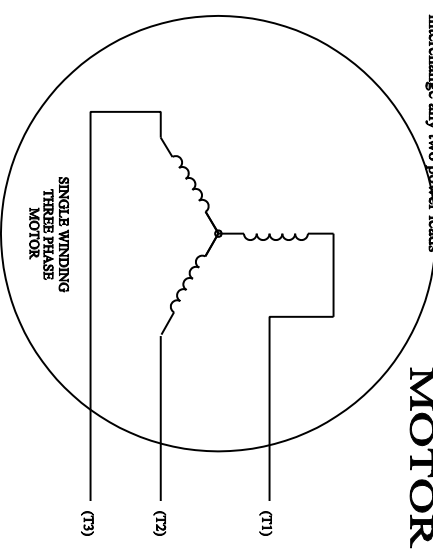
**SINGLE PHASE
DUAL VOLTAGE
MOTOR**



NOTE:
To change motor rotation interchange T5 and T8 leads

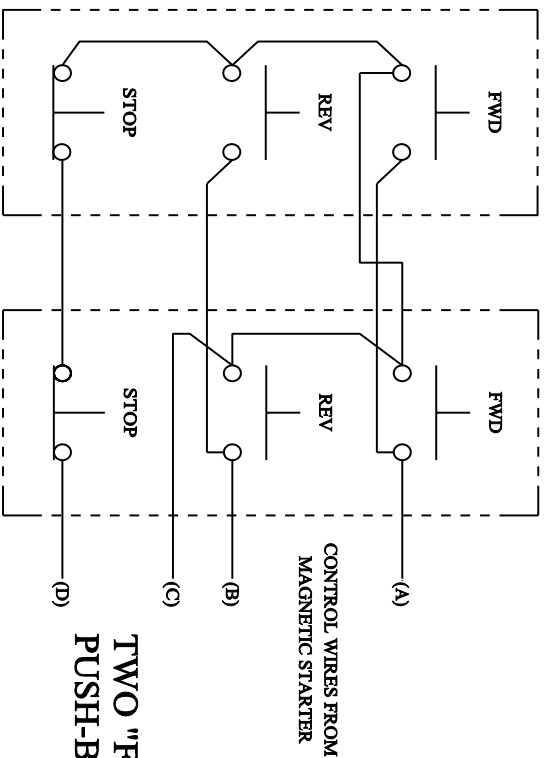
	L1	L2	JOIN
115 / 230 VOLT, SINGLE PHASE MOTOR			
230 VOLT	Counter clockwise rotation	T1, T4, T5	T2, T3, and T8
115 VOLT	Clockwise rotation	T1	T4, T8
115 VOLT	Counter clockwise rotation	T1, T3, T8	T2, T4, T5
115 VOLT	Clockwise rotation	T1, T3, T5	T2, T4, T8

**THREE PHASE
SINGLE VOLTAGE
MOTOR**

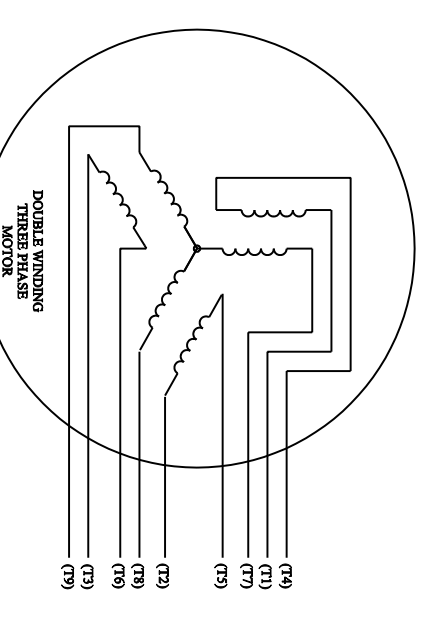
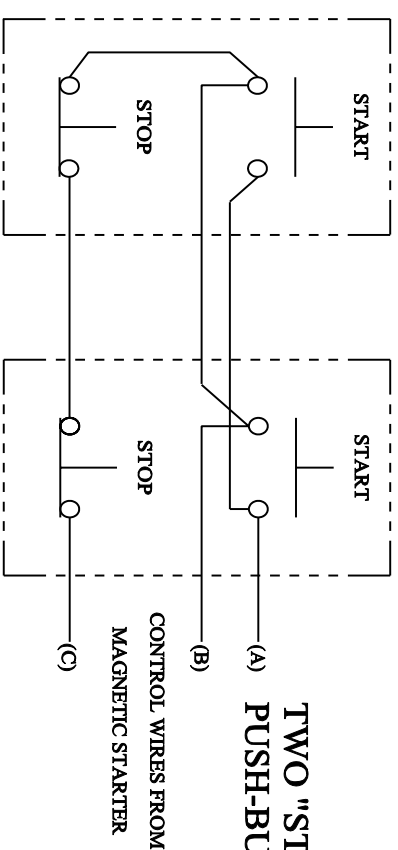


NOTE:
1. Y-CONNECTED,
SINGLE VOLTAGE
2. To reverse motor rotation
interchange any two power-leads

**TWO "FWD-REV-STOP"
PUSH-BUTTON STATIONS**

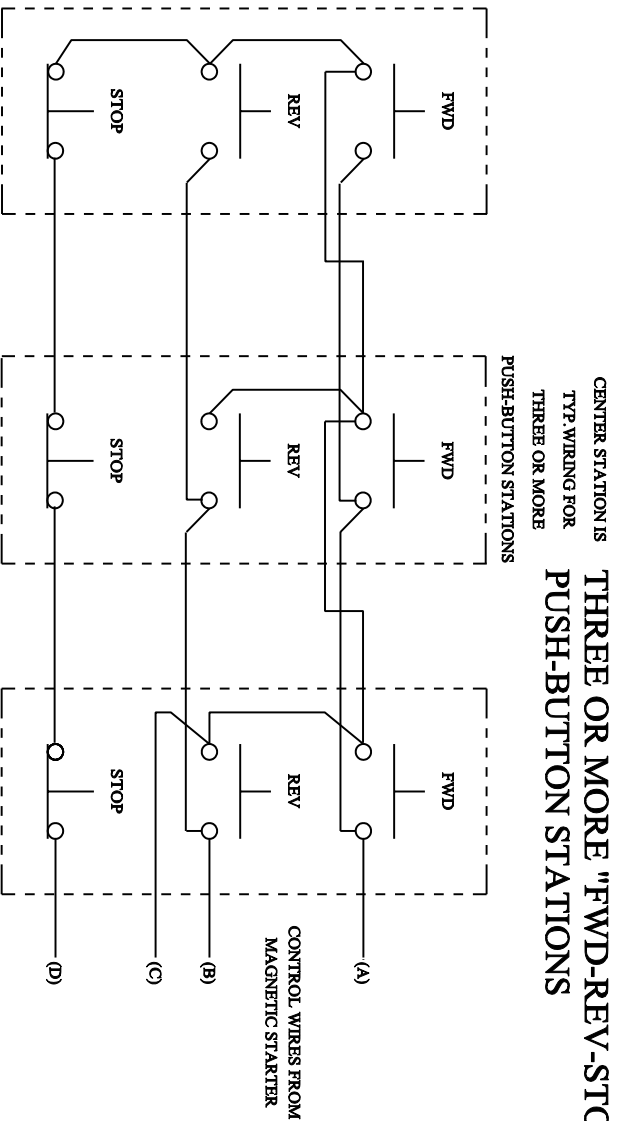


**TWO "START-STOP"
PUSH-BUTTON STATIONS**



DOUBLE WINDING
THREE PHASE
MOTOR

**THREE OR MORE "FWD-REV-STOP"
PUSH-BUTTON STATIONS**



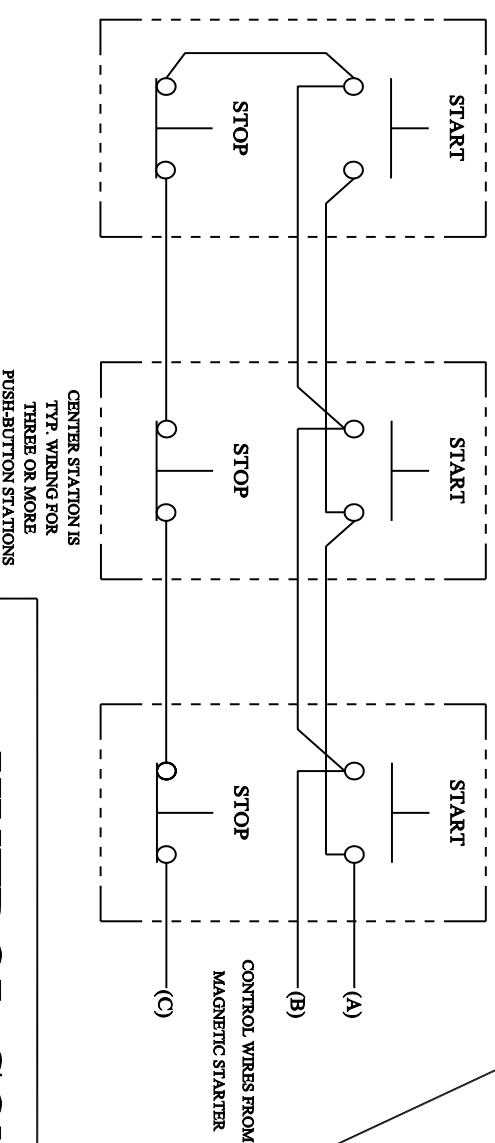
**THREE PHASE
DUAL VOLTAGE
MOTOR**

NOTE:
1. Y-CONNECTED, DUAL VOLTAGE MOTOR
2. To reverse motor rotation interchange any two power leads

VOLTAGE	L1	L2	L3	Tie Together
LOW	T1, T7	T2, T8	T3, T9	T4, T5, T6
HIGH	T1	T2	T3	(T4, T7) (T5, T8) (T6, T9)

Motors with leads T10, T11, & T12: These three leads are to be connected together.

**THREE OR MORE "START-STOP"
PUSH-BUTTON STATIONS**



HYTROL CONVEYOR CO., INC.
2020 HYTROL DR.
JONESBORO, ARKANSAS 72401

DESCRIPTION: WIRING DIAGRAMS FOR PUSH-BUTTON STATION STATIONS AND MOTORS FOR STANDARD MAGNETIC STARTERS

DRAWN BY: Roscoe Spencer

DATE: AUGUST 2, 2001

DWG. NO. EA-025A

REVISION: 0